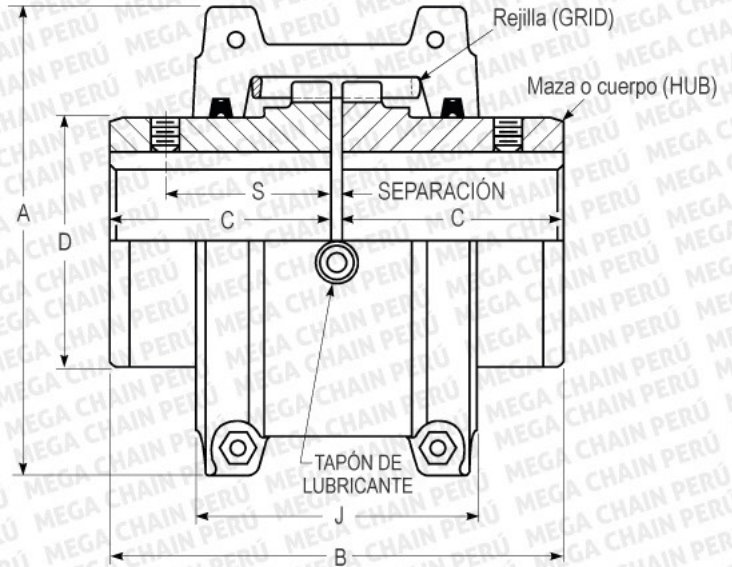
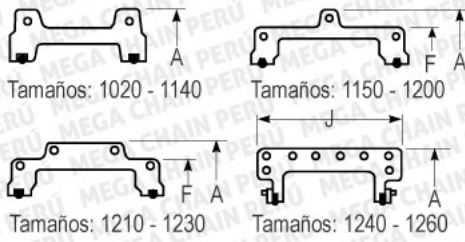


ACOPLAMIENTO FALK SERIE T10

Perfiles de cubierta - Separación radial



TAMAÑOS T10	MATERIAL DE COBERTURA
1020 hasta 1230	Aleación de Aluminio fundido
1240 hasta 1260	Acero

Dimensiones (in)

Tamaño T10	Torque (lb-in)	Velocidad Permitida RPM	Eje Máximo	Eje Mínimo	Peso (lb)	Lubricante Peso (lb)	A	B	C	D	F	J	S	Separación (in)
1020T	460	4500	1.125	0.500	4.2	0.06	3.82	3.88	1.88	1.56	-	2.62	1.54	0.125
1030T	1,320	4500	1.375	0.500	5.7	0.09	4.16	3.88	1.88	1.94	-	2.69	1.54	0.125
1040T	2,200	4500	1.625	0.500	7.4	0.12	4.50	4.12	2.00	2.25	-	2.75	1.58	0.125
1050T	3,850	4500	1.875	0.500	12	0.15	5.32	4.88	2.38	2.62	-	3.19	1.76	0.125
1060T	6,050	4350	2.125	0.750	16	0.19	5.82	5.12	2.50	3.00	-	3.68	2.06	0.125
1070T	8,800	4125	2.500	0.750	23	0.25	6.25	6.12	3.00	3.44	-	3.81	2.12	0.125
1080T	18,150	3600	3.000	1.062	39	0.38	7.50	7.12	3.50	4.12	-	4.55	2.54	0.125
1090T	33,000	3600	3.500	1.062	56	0.56	8.31	7.88	3.88	4.88	-	4.81	2.82	0.125
1100T	55,550	2440	4.000	1.625	93	0.94	9.88	9.69	4.75	5.59	-	6.12	-	0.188
1110T	82,500	2250	4.500	1.625	120	1.12	10.62	10.19	5.00	6.31	-	6.36	-	0.188
1120T	121,000	2025	5.000	2.375	179	1.62	12.12	12.00	5.88	7.06	-	7.54	-	0.250
1130T	176,000	1800	6.000	2.625	266	2.0	13.62	13.00	6.38	8.56	-	7.68	-	0.250
1140T	253,000	1650	7.250	2.625	392	2.5	15.12	14.75	7.25	10.00	-	7.92	-	0.250
1150T	352,000	1500	8.000	4.250	500	4.3	17.84	14.65	7.20	10.60	15.40	10.69	-	0.250
1160T	495,000	1350	9.000	4.750	681	6.2	19.76	15.85	7.80	12.00	17.20	10.96	-	0.250
1170T	660,000	1225	10.000	5.250	987	7.7	22.32	17.25	8.50	14.00	19.18	12.10	-	0.250
1180T	915,000	1100	11.000	6.000	1365	8.3	24.80	19.05	9.40	15.50	21.84	12.64	-	0.250
1190T	1,210,000	1050	12.000	6.000	1710	9.7	26.60	20.65	10.20	17.20	23.93	12.80	-	0.250
1200T	1,650,000	900	13.000	7.000	2331	12.4	29.80	22.25	11.00	19.60	26.00	14.00	-	0.250
1210T	2,200,000	820	14.000	7.000	3140	23.2	33.25	24.50	12.00	21.00	29.56	17.00	-	0.500
1220T	2,970,000	730	15.000	8.000	3935	35.4	36.25	26.10	12.80	22.50	32.37	19.30	-	0.500
1230T	3,850,000	680	16.000	8.000	4997	53.0	39.50	27.70	13.60	24.00	35.62	21.50	-	0.500
1240T	4,950,000	630	17.000	10.000	6504	74.5	42.80	29.50	14.50	25.50	-	25.50	-	0.500
1250T	6,600,000	580	18.500	10.000	8450	110.5	46.50	32.10	15.80	28.00	-	27.50	-	0.500
1260T	8,250,000	540	20.000	10.000	10322	148.1	49.64	34.50	17.00	30.00	-	30.00	-	0.500